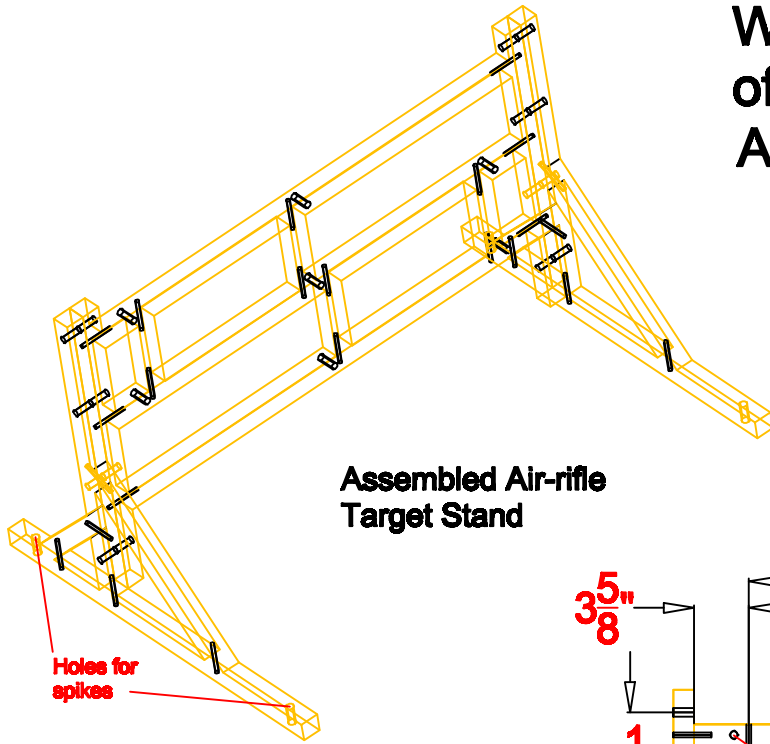
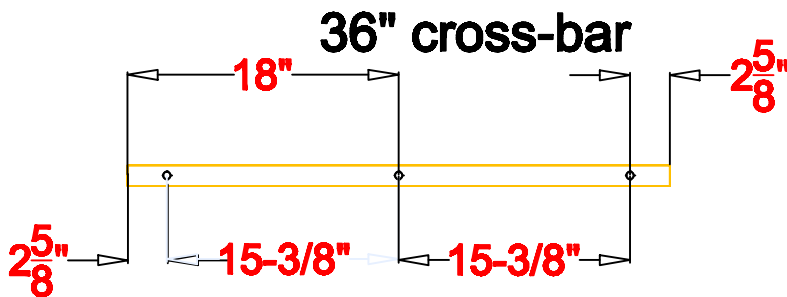
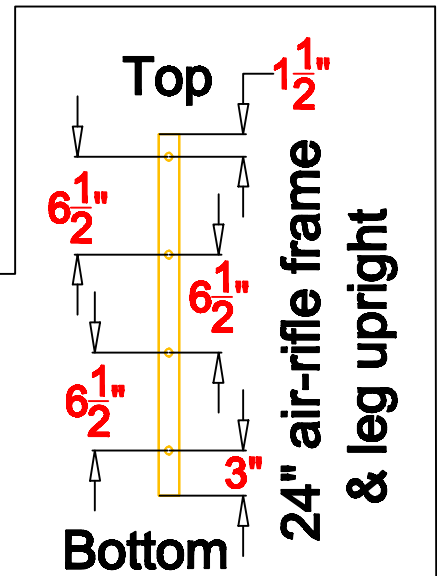
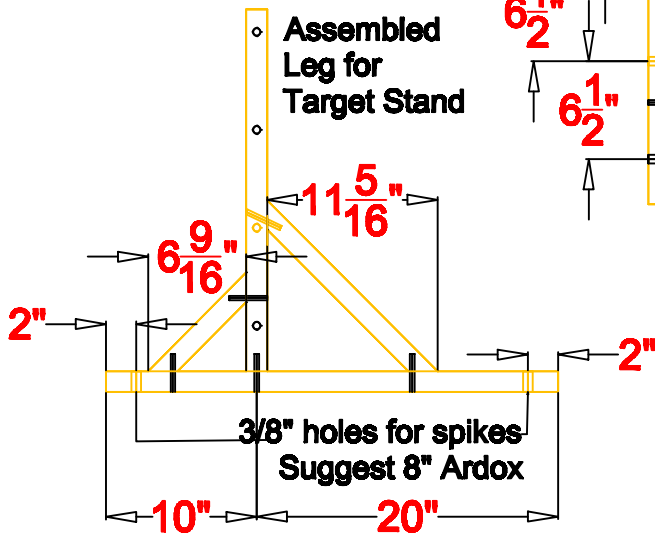
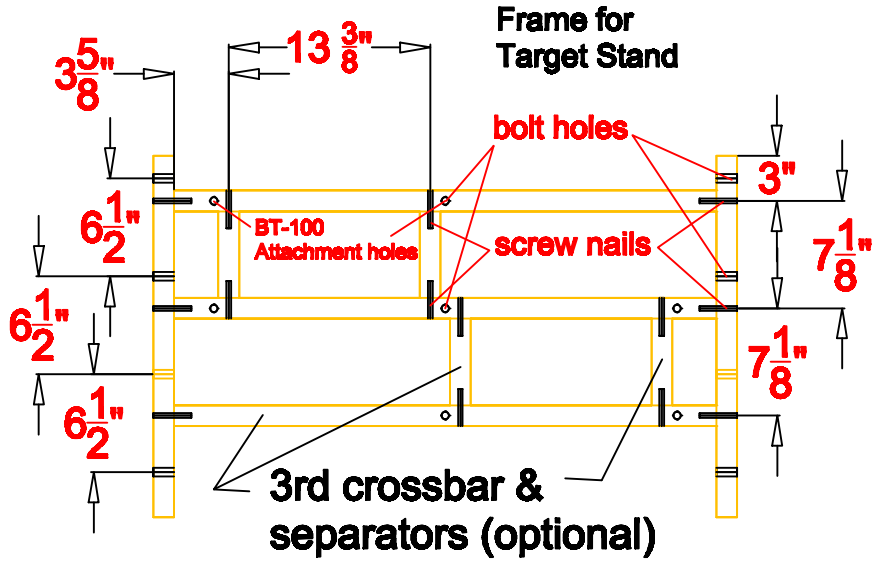


Wire-frame drawing of Air-Rifle Target Stand Assembly

(A BT-100 can be set to a range of heights from 13" to 2' 11-3/8". Paper can be stapled to the frame or foam-core or cardboard in the empty spaces.)



Assembled Air-rifle Target Stand



Dimensions for drilling $\frac{9}{32}"$ holes for $\frac{1}{4}"$ bolts

**Additional Hardware: 4 of $3\frac{1}{2}" \times \frac{1}{4}"$ bolts & wing nuts for frame/legs
+2 of $2" \times \frac{1}{4}"$ bolts & wing nuts for BT-100 + 24 of $2\frac{1}{2}"$ #10 wood screws**