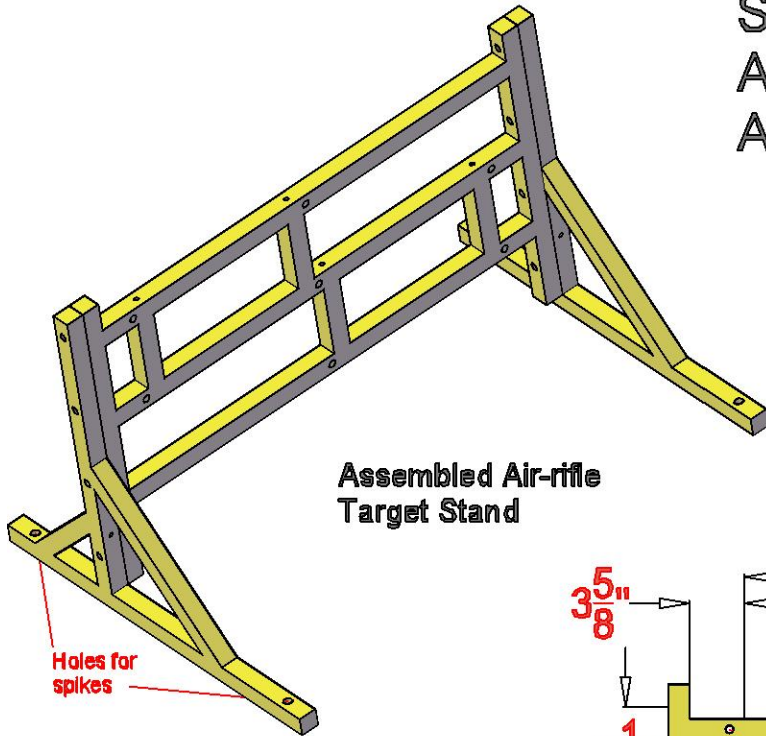
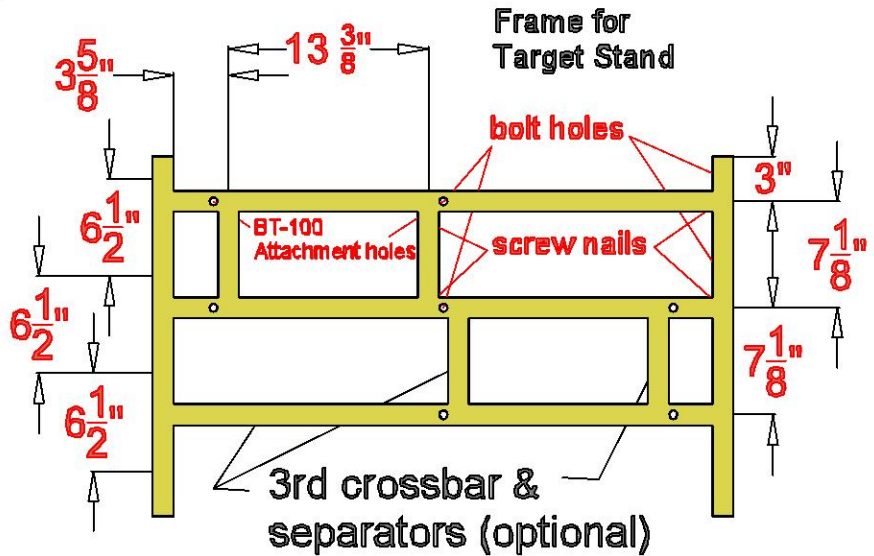


Solid Drawing of Air-Rifle Target Stand Assembly

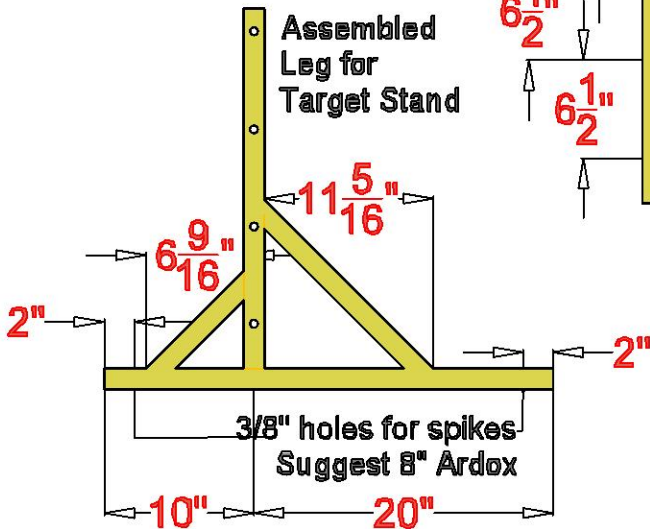
(A BT-100 can be set to a range of heights from 13" to 2' 11-3/8". Paper can be stapled to the frame or foam-core or cardboard in the empty spaces.)



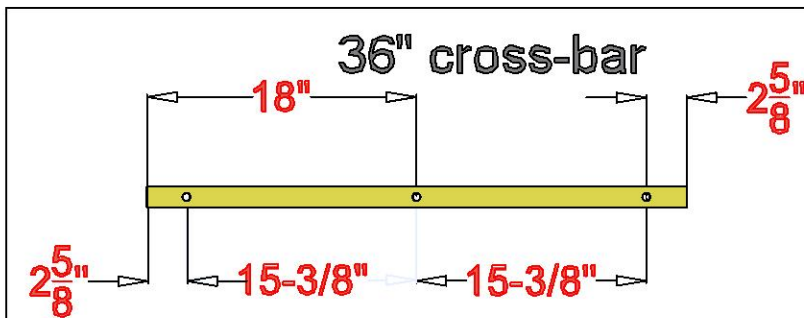
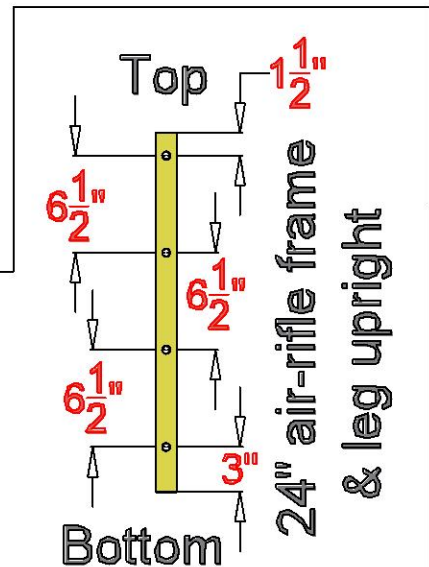
Assembled Air-rifle Target Stand



Frame for Target Stand



Assembled Leg for Target Stand



Dimensions for drilling 9/32" holes for 1/4" bolts

Additional Hardware: 4 of 3-1/2"x1/4" bolts & wing nuts for frame/legs
+2 of 2"x1/4" bolts & wing nuts for BT-100 + 24 of 2-1/2" #10 wood screws